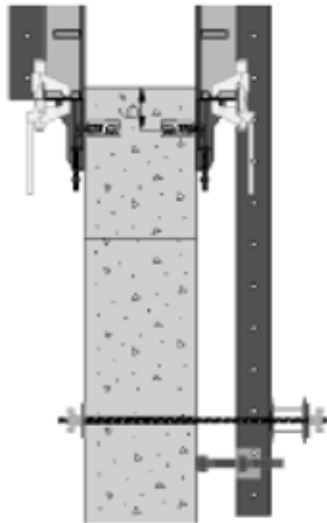


Walers

Alisply™ is designed as a waterless forming system, but there are forming situations where a water would be required or may be added as an option:

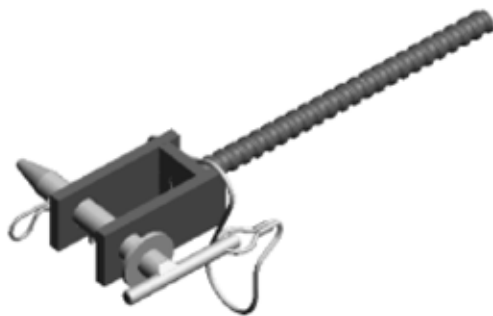
1. If a project is to be poured in multiple lifts, a trailing water could be added to the gang for aligning purposes.



Typical Trailing Water Application for Walls with Multiple Lifts

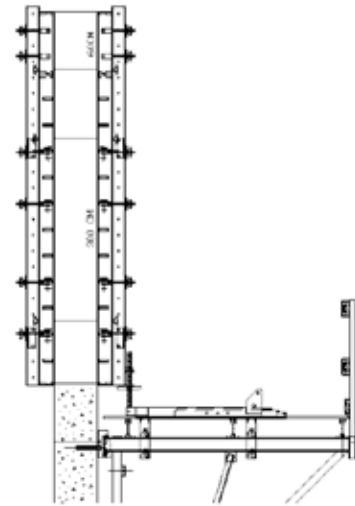
3. Gang heights exceeding 16 feet may require walers. Contact Masons Technical Service for application information.

A Waler Connector with plate and wing nut is required to attach the Versiform Waler to Alisply.

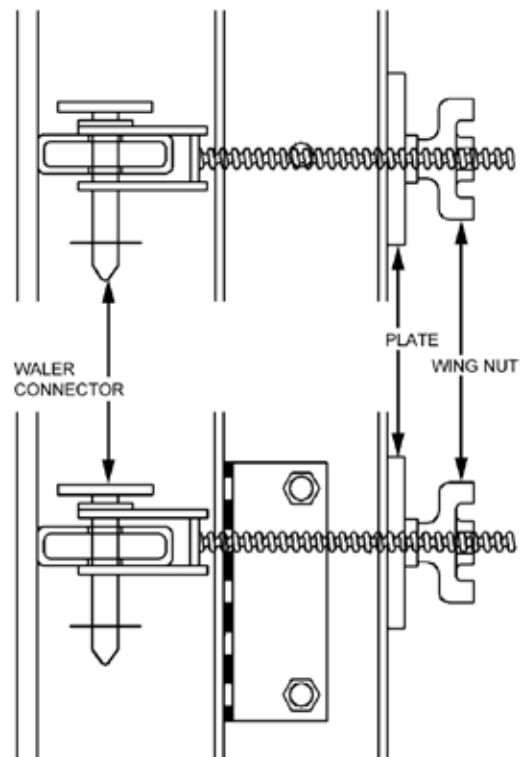


WALER CONNECTOR
SY 722302

2. If Alisply is used with the Sky-Lift™ system, 5" Versiform® Walers must be added to the gang.



Typical Waler Attachment with Sky-Lift System



Typical Waler Connector Applications