



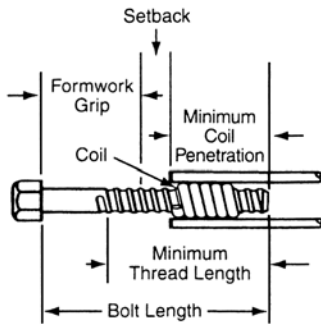
# COIL THREAD

## TIEING/HANDSET

### Fiberglass Coil Rod



No.	Size	Length	SWL Tension (lbs)
RC 12FCR	1/2"	8'	7,500
RC 34FCR	3/4"	8'	15,000
RC 1FCR	1"	8'	17,000



#### Minimum Coil Penetration Information

When determining the minimum required overall length of coil bolts, you must consider the following items:

- Formwork grip (including washer thickness).
- Setback of the form tie or insert.
- Minimum coil penetration (applies to all coil products).

### Coil Bolt



Coil bolts are designed with fast-threading, self-cleaning threads. The threads are contoured to mate with the helix coils of coil ties and coil loops. Coil bolts may be furnished with standard formed head or made from coil rod with heavy hex nut welded on.

No.	Size	Wt (lbs)
DS 12212CB	1/2"x2-1/2"	0.150
DS 122CB	1/2"x2"	0.120
DS 123CB	1/2"x3"	0.175
DS 12312CB	1/2"x3-1/2"	0.200
DS 124CB	1/2"x4"	0.230
DS 125CB	1/2"x5"	0.285
DS 126CB	1/2"x6"	0.340
DS 342CB	3/4"x2"	0.310
DS 343CB	3/4"x3"	0.430
DS 34212CB	3/4"x2-1/2"	0.370
DS 34312CB	3/4"x3-1/2"	0.490
DS 344CB	3/4"x4"	0.550
DS 345CB	3/4"x5"	0.670
DS 346CB	3/4"x6"	0.780

1" & 1-1/4" & 1-1/2" Coil Bolts Also Available

### FORGED HEAD COIL BOLT DATA & MINIMUM COIL PENETRATION:

1/2" DIAMETER	1/2" DIAMETER	3/4" DIAMETER	1" DIAMETER	1-1/4" DIAMETER	1-1/2" DIAMETER
UNDER 6" LENGTH SAFE WORKING LOAD	6" AND OVER LENGTH SAFE WORKING LOAD	SAFE WORKING LOAD	SAFE WORKING LOAD	SAFE WORKING LOAD	SAFE WORKING LOAD
TENSION SHEAR 4,125 2,750	TENSION SHEAR 6,750 4,500	TENSION SHEAR 9,000 6,000	TENSION SHEAR 18,000 12,000	TENSION SHEAR 27,000 18,000	TENSION SHEAR 41,250 27,500
MINIMUM COIL PENETRATION 2"	MINIMUM COIL PENETRATION 2"	MINIMUM COIL PENETRATION 2-1/4"	MINIMUM COIL PENETRATION 2-1/2"	MINIMUM COIL PENETRATION 2-1/2"	MINIMUM COIL PENETRATION 3"
THREADS PER INCH 6	THREADS PER INCH 6	THREADS PER INCH 4.5	THREADS PER INCH 3.5	THREADS PER INCH 3.5	THREADS PER INCH 3.5
MIN. ROOT AREA SQUARE INCHES .1385	MIN. ROOT AREA SQUARE INCHES .1385	MIN. ROOT AREA SQUARE INCHES .3080	MIN. ROOT AREA SQUARE INCHES .5410	MIN. ROOT AREA SQUARE INCHES .9160	MIN. ROOT AREA SQUARE INCHES 1.3890

SWL provides a factor of safety of approximately 2 to 1.