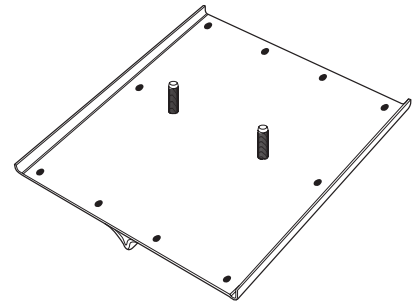


GROOVERS

WALKING STAINLESS STEEL

A hand crafted groover. A Northwest concrete finishers preference. Standard with a single action adapters. Supplied without handle to allow different set up.

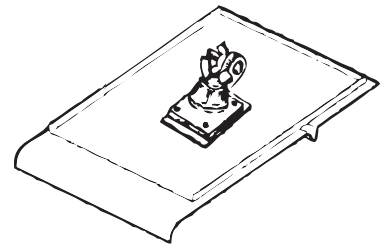
No.	Size	Radius	Depth	Wt (lbs)
TGW D63	6" x 3"	1/2"	3/4"	1.65
TGW D66	6" x 6"	1/2"	3/4"	1.85
TGW D86	8" x 8"	1/2"	3/4"	2.85
TGW D248	24" x 8"	3/4"	3/4"	6.00
Round End S/S				
TGW D248R	24" x 8"	3/4"	3/4"	6.00



COMBINATION EDGER GROOVER

Forms top of curb and cuts groove in one pass. All angle bracket lets you work at any angle. Supplied without handle to allow difficult setup.

No.	Size	Depth	Radius	Wt (lbs)
TEW 866C	6" x 8"	1/4"	3/4"	2.00



PHOENIX

All steel deep bit groovers. Target sight for straight lines. Comes with a two stud post. Supplied without handle to allow different set up.

No.	Size	Radius	Depth	Wt (lbs)
TGW P146	14" x 12"	1/2"	1"	8.00
TGW P148	14" x 12"	3/4"	1"	8.00

