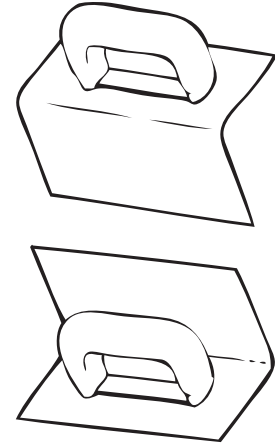


STEP TOOLS

BLUE STEEL

Blue Steel step tools are tempered crucible spring steel.
Very popular because of durability and lightweight. 1/2" batter at 6".

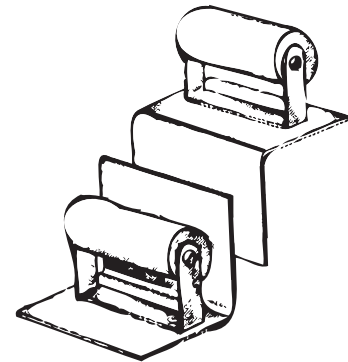
No.	Size	Lip	Radius	Wt (lbs)
Outside				
TST B362	6" x 6"	3 1/2"	1/4"	1.20
TST B363	6" x 6"	3 1/2"	3/8"	1.20
TST B364	6" x 6"	3 1/2"	1/2"	1.20
TST B365	6" x 6"	3 1/2"	5/8"	1.20
TST B366	6" x 6"	3 1/2"	3/4"	1.20
TST B368	6" x 6"	3 1/2"	1"	1.20
Inside				
TST B672	7" x 6"	6"	1/4"	1.35
TST B673	7" x 6"	6"	3/8"	1.35
TST B674	7" x 6"	6"	1/2"	1.35
TST B675	7" x 6"	6"	5/8"	1.35
TST B676	7" x 6"	6"	3/4"	1.35
TST B678	7" x 6"	6"	1"	1.35



PLASTIC

Step tools are specially designed for pools; will not darken white coat.
Heavy nose tool. Plexiglass. No batter.

No.	Size	Lip	Radius	Wt (lbs)
Outside				
TST P266	6" x 5"	2 1/2"	3/4"	1.00
TST P26112	6" x 5"	2 1/2"	1 1/2"	1.00
Inside				
TST P566	6" x 5"	5"	3/4"	1.10
TST P56112	6" x 5"	5"	1 1/2"	1.10



STAINLESS STEEL

Inside - Rugged construction plus popular design.

No.	Size	Lip	Radius	Batter	Wt (lbs)
Inside					
TST 484B	8" x 4"	4"	1/2"	1/2"	1.65
TST 484	8" x 4"	4"	1/2"	0"	1.65
TST 468	6" x 4"	1 1/2"	1"	0"	1.00
Outside					
TST 844B	8" x 4"	4"	1/2"	1/2"	1.65
TST 844	8" x 4"	4"	1/2"	0"	1.65
TST 648	6" x 4"	1 1/2"	1"	0"	1.00

