



**OREGON
PORTLAND**
(800) 537-3407
PH (503) 234-4321
FAX (503) 234-5606

**WASHINGTON
WOODINVILLE**
(800) 537-6216
PH (425) 487-6161
FAX (425) 402-3676

For more Information:
1-800-537-3407
www.masco.net

TECHNICAL DATA SHEET

Product: MASCO Adjustable Screed Chair
Revision Date: 7/26/2018

MASCO Adjustable Screed Chair

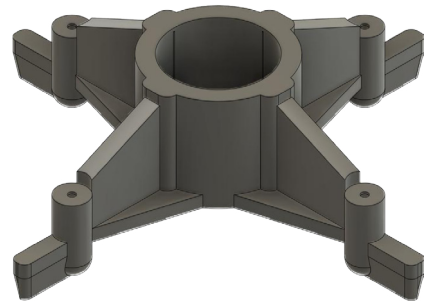
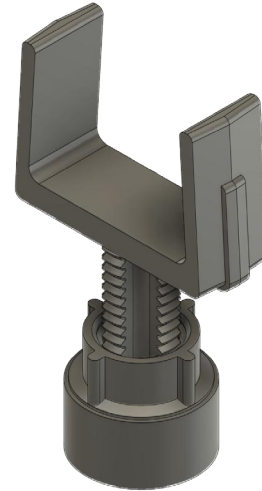
DESCRIPTION

Adjustable, plastic screed chair for use on elevated decks. Base can be fastened to wood decks.

FEATURES

- Fits 2x4 lumber and 1-1/2" diameter pipe screeds.
- Includes a base, adjustable ring, and screed saddle.
- Designed to allow up to ±1" in fine tune height adjustment.
- PVC pipe (not included) can be cut to right size.

No.	Qty/Box	Wt (lbs) per Box
CT ASC	100	16.00



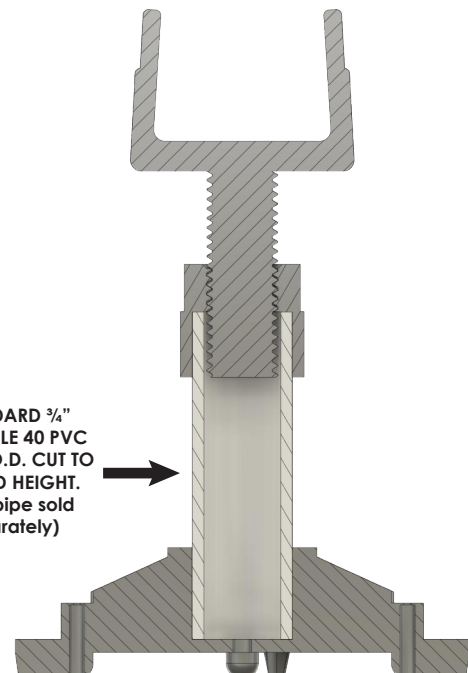
TECHNICAL SERVICE

For additional technical details or instructions, please contact:

MASONS SUPPLY COMPANY
2637 SE 12th Ave.
Portland, OR 97202
(503)234-4321, FAX (503)234-5606
www.masco.net

DISCLAIMER OF WARRANTIES AND LIMITATIONS OF LIABILITY

MASONS SUPPLY CO. (Seller) warrants that if any goods supplied prove defective in workmanship or material, that Seller shall replace them or refund their purchase price. THIS WARRANTY IS MADE IN LIEU OF ANY AND ALL OTHER WARRANTIES, EXPRESSED OR IMPLIED, INCLUDING THE WARRANTIES OF MERCHANTABILITY AND/OR FITNESS WHICH ARE HEREBY DISCLAIMED. IT IS UNDERSTOOD AND AGREED THAT BUYER'S SOLE REMEDY, AND THEREFORE SELLER'S LIABILITY, WHETHER IN CONTRACT, TORT, UNDER ANY WARRANTY, IN NEGLIGENCE, OR OTHERWISE SHALL BE LIMITED TO THE RETURN OF THE PURCHASE PRICE PAID BY PURCHASER OR REPLACEMENT OF ANY DEFECTIVE GOOD'S SOLD BY SELLER AND UNDER NO CIRCUMSTANCES SHALL SELLER BE LIABLE FOR SPECIAL, INDIRECT OR CONSEQUENTIAL DAMAGES. THE PRICE STATED FOR THE GOODS IS A CONSIDERATION IN LIMITING SELLER'S LIABILITY. Before application, the User shall determine the suitability of the product for his intended use and User assumes all risks and liabilities whatsoever in connection therewith. The terms of this paragraph may not be orally modified. THERE ARE NO WARRANTIES WHICH EXTEND BEYOND THE FACE HEREOF.



STANDARD 3/4" SCHEDULE 40 PVC PIPE 1" O.D. CUT TO DESIRED HEIGHT. (PVC pipe sold separately)